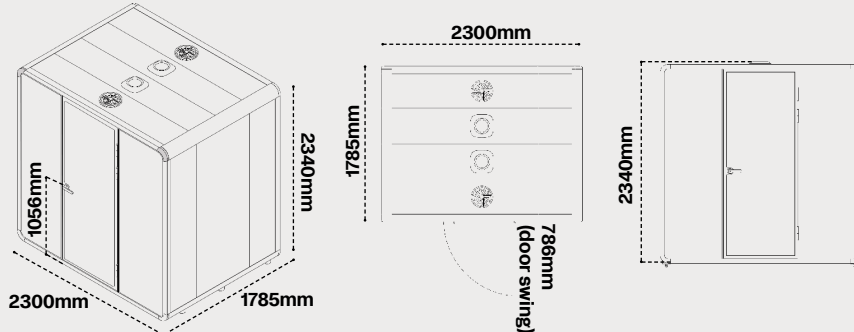


Quad+

Meet, collaborate and focus - together; This is our most versatile booth with a generous footprint. Built for small groups or for use as a spacious private office, it adapts to fit the way you work.



*Dimensions shown are for reference only and do not constitute a technical drawing. A minimum clearance of 40mm is required on all sides for installation and ventilation purposes.



Capacity

1-6 People

Warranty

Two-years warranty

Acoustic

>30db

Footprint

w:2300mm x d:1785mm

Ventilation

- Airflow: 218 m³/hr
- 4x Fans (2x in, 2x out)

Lighting

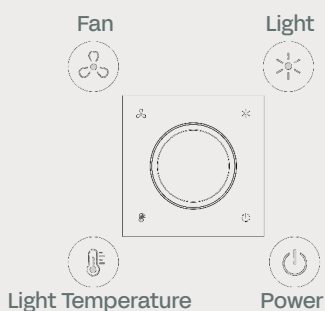
- 2 Lights: 60w (24V/2.5A)
- Colour temperature: 3000K-6000K (adjustable)
- Colour Rendering Index (CRI): 92

*for individual light

Dimensions (wxdxh)

- Internal: 2162mm x 1745mm x 2146mm
- External: 2300mm x 1785mm x 2340mm
- Doorway: w:741mm x h:2118mm
- Weight: 700kg

Control panel



Power and Data

- Outlets: x1 DGPO, x1 USB-C, and x1 USB-A above table height (on wall)
- *Additional (Meet Configuration) x1 DGPO, x1 USB-C, x1 USB-A (on table)
- Power access on left side
- Power consumption: 100W
- Motion sensor controls lights and air flow automatically

Design

- Eco-friendly materials and packaging
- Integrated ventilation system
- Fire sprinkler hole: pre-cut opening for easy sprinkler integration
- Built-in occupancy lights
- Control panel: adjust ventilation, light strength, and temperature

Certifications

- UKCA & CE Mark: Independently evaluated by SGS meets UK and EU electrical safety & EMC requirements
- Fire Safety & Flammability: Tested to UK (BS 5852/7176) & EU (EN 13501-1/1021) fire safety standards
- ISO 23351-1 (Acoustics): Lab-measured speech privacy up to ~30dB SLR for quieter calls and focus
- FSC® Chain of Custody (Timber): Responsibly sourced, traceable timber supply
- ISO 9001 / ISO 14001: Certified quality and environmental management systems
- EcoVadis / Cradle to Cradle / EU Ecolabel: Sustainability, lifecycle, and environmental certifications

*Evidence pack available on request; scope may vary by configuration.

Finishes

Exterior Shell

Electrostatic coated / Architectural surface film

- Cloud White Standard
- Domino Black Standard
- Custom Colours

Interior

Fabric Wrap on PET Acoustic Panel

- Focus Range FO-82
- Custom Colours

Carpet

Anti-static

- Dark Grey FP2-1

Occupancy Lighting

- Occupied
- Available

*Any custom finishes will be subject to a 12+ week lead time.

Furniture Configurations

Each booth offers a unique space, the furniture makes it yours. Desks, benches, lean bars, or sofas - every configuration is designed around how people actually work; and what happens inside each booth is up to you.

Quad+ Meet



Designed for small teams that think big. The Quad+ Meet includes two benches and a large central table, seating four comfortably while keeping the room compact and soundproof.

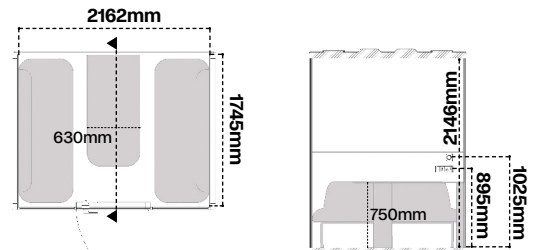
Finishes

Table

- Alabaster TB-02
- Custom Colours

Benches

- Focus Range FO-86
- Custom Colours



*Dimensions shown are for reference only and do not constitute a technical drawing.

Quad+ Focus



A spacious single office for serious work. The Quad+ Focus comes with a full desk and ergonomic chair, giving you space to spread out, plan, and focus without interruptions.

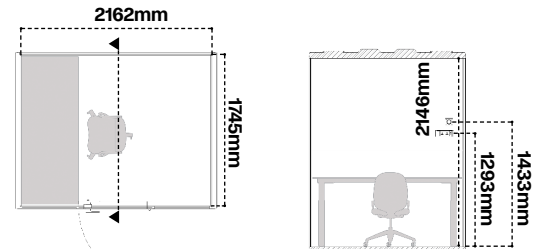
Finishes

Desk

- Alabaster TB-02
- Custom Colours

Task Chair

- Black
- Custom Colours



*Dimensions shown are for reference only and do not constitute a technical drawing.

Quad+ Collab



Made for collaborative thinking and creative sessions. The Quad+ Collab features a corner sofa and a side table, perfect for workshops, design reviews, or solving the most complex problems.

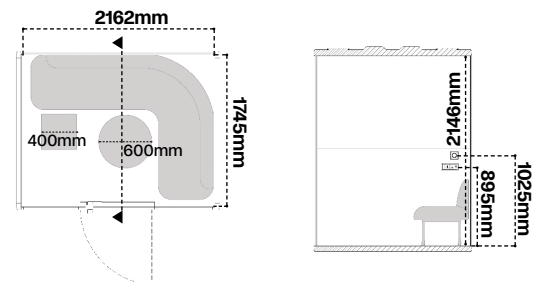
Finishes

Tables

- Alabaster TB-02
- Custom Colours

Corner Sofa

- Focus Range FO-86
- Custom Colours



*Dimensions shown are for reference only and do not constitute a technical drawing.



BUREAU

Furnish a workspace that works.

withbureau.com