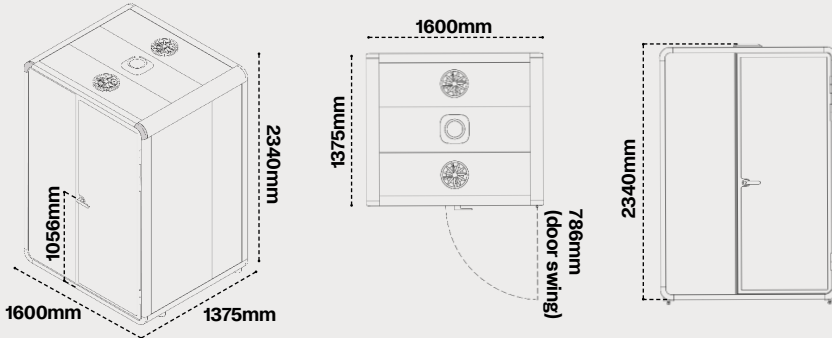


# One+

The One+ can be used in One+ ways. Comfortable, spacious and meticulously crafted for deep and meaningful work. Step inside this quiet refuge to get in the zone and stay in it all day.



\*Dimensions shown are for reference only and do not constitute a technical drawing. A minimum clearance of 40mm is required on all sides for installation and ventilation purposes.



## Capacity

1-2 People

## Warranty

Two-years warranty

## Acoustic

>30db

## Footprint

w:1600mm x d:1375mm

## Ventilation

- Airflow: 110 m<sup>3</sup>/hr
- 3x Fans (1x in, 2x out)

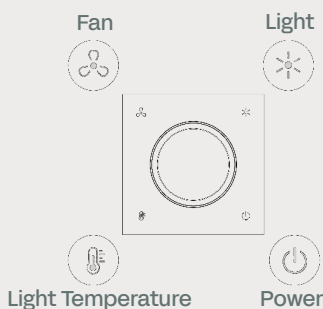
## Lighting

- 1 Light: 36w (24V/1.5A)
- Colour temperature: 3000K-6000K (adjustable)
- Colour Rendering Index (CRI): 92

## Dimensions (wxdxh)

- Internal: 1462mm x 1335mm x 2146mm
- External: 1600mm x 1375mm x 2340mm
- Doorway: w:741mm x h:2118mm
- Weight: 502kg

## Control panel



## Power and Data

- Outlets: x1 DGPO, x1 USB-C, and x1 USB-A above table height (on wall)
- Power access on left side
- Power consumption: 52W
- Motion sensor controls lights and air flow automatically

## Design

- Eco-friendly materials and packaging
- Integrated ventilation system
- Fire sprinkler hole: pre-cut opening for easy sprinkler integration
- Built-in occupancy lights
- Control panel: adjust ventilation, light strength, and temperature

## Certifications

- UKCA & CE Mark: Independently evaluated by SGS meets UK and EU electrical safety & EMC requirements
- Fire Safety & Flammability: Tested to UK (BS 5852/7176) & EU (EN 13501-1/1021) fire safety standards
- ISO 23351-1 (Acoustics): Lab-measured speech privacy up to ~30dB SLR for quieter calls and focus
- FSC® Chain of Custody (Timber): Responsibly sourced, traceable timber supply
- ISO 9001 / ISO 14001: Certified quality and environmental management systems
- EcoVadis / Cradle to Cradle / EU Ecolabel: Sustainability, lifecycle, and environmental certifications

\*Evidence pack available on request; scope may vary by configuration.

## Finishes

### Exterior Shell

Electrostatic coated / Architectural surface film

- Cloud White Standard
- Domino Black Standard
- Custom Colours

### Interior

Fabric Wrap on PET Acoustic Panel

- Focus Range FO-82
- Custom Colours

### Carpet

Anti-static

- Dark Grey FP2-1

### Occupancy Lighting

- Occupied
- Available

\*Any custom finishes will be subject to a 12+ week lead time.

# Furniture Configurations

Each booth offers a unique space, the furniture makes it yours. Desks, benches, lean bars, or sofas - every configuration is designed around how people actually work; and what happens inside each booth is up to you.

Most Popular

## One+ Focus



The ultimate private office, the One+ Focus is comfortable, spacious and meticulously crafted for deep and meaningful work; with a desk, ergonomic chair and integrated power. Step inside to switch off distractions and stay in flow for hours.

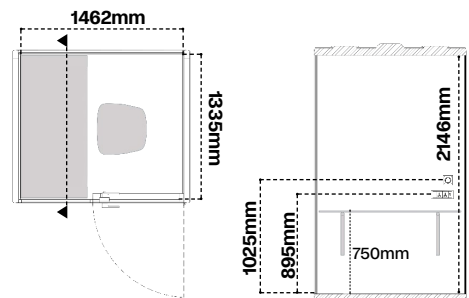
### Finishes

#### Desk

-  Alabaster TB-02
-  Custom Colours

#### Task Chair

-  Black
-  Custom Colours



\*Dimensions shown are for reference only and do not constitute a technical drawing.

## One+ Meet





A booth built for two minds. One+ Meet comes with dual lounge seats and a central table, ideal for 1:1's or private catch-ups. Whether you want a meeting room or a quiet place for focused work, keep private calls, well, private.

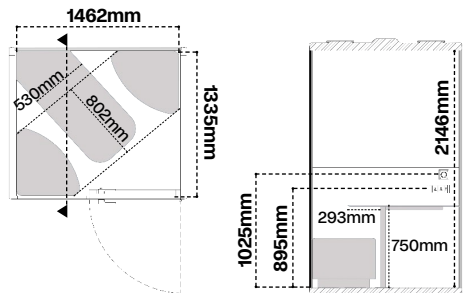
### Finishes

#### Table

-  Alabaster TB-02
-  Custom Colours

#### Corner Seats

-  Focus Range FO-86
-  Custom Colours



\*Dimensions shown are for reference only and do not constitute a technical drawing.



**BUREAU**

Furnish a workspace that works.

[withbureau.com](http://withbureau.com)