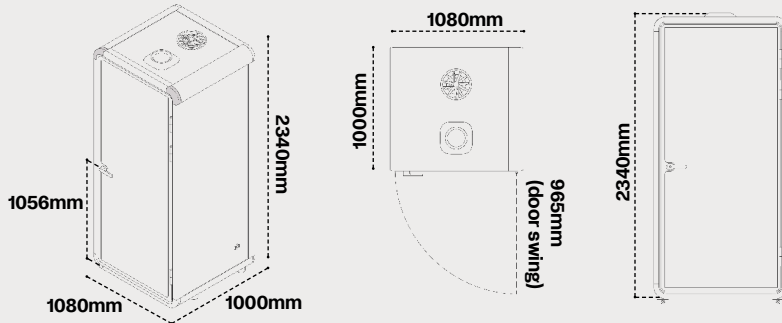


# One

A compact booth for single-person focus. Small in scale, precise in design, and easy to place anywhere. This is your quiet space for undisturbed phone calls and deep work.



\*Dimensions shown are for reference only and do not constitute a technical drawing. A minimum clearance of 40mm is required on all sides for installation and ventilation purposes.



## Capacity

1 Person

## Warranty

Two-years warranty

## Acoustic

>30db

## Footprint

w:1080mm x d:1000mm

## Ventilation

- Airflow: 70 m<sup>3</sup>/hr
- 2x Fans (1x in, 1x out)

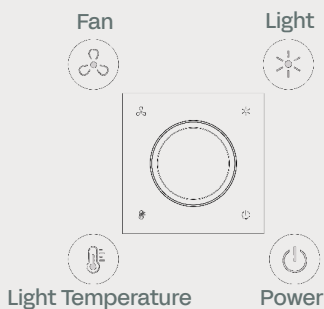
## Lighting

- 1 Light: 36w (24V/1.5A)
- Colour temperature: 3000K-6000K (adjustable)
- Colour Rendering Index (CRI): 92

## Dimensions (wxdxh)

- Internal: 942mm x 960mm x 2146mm
- External: 1080mm x 1000mm x 2340mm
- Doorway: w:918mm x h:2118mm
- Weight: 335kg

## Control panel



## Power and Data

- Outlets: x1 DGPO, x1 USB-C, and x1 USB-A above table height (on wall)
- Power access on right side
- Power consumption: 40W
- Motion sensor controls lights and air flow automatically

## Design

- Eco-friendly materials and packaging
- Integrated ventilation system
- Fire sprinkler hole: pre-cut opening for easy sprinkler integration
- Built-in occupancy lights
- Control panel: adjust ventilation, light strength, and temperature

## Certifications

- UKCA & CE Mark: Independently evaluated by SGS meets UK and EU electrical safety & EMC requirements
- Fire Safety & Flammability: Tested to UK (BS 5852/7176) & EU (EN 13501-1/1021) fire safety standards
- ISO 23351-1 (Acoustics): Lab-measured speech privacy up to ~30dB SLR for quieter calls and focus
- FSC® Chain of Custody (Timber): Responsibly sourced, traceable timber supply
- ISO 9001 / ISO 14001: Certified quality and environmental management systems
- EcoVadis / Cradle to Cradle / EU Ecolabel: Sustainability, lifecycle, and environmental certifications

\*Evidence pack available on request; scope may vary by configuration.

## Finishes

### Exterior Shell

Electrostatic coated / Architectural surface film

- Cloud White Standard
- Domino Black Standard
- Custom Colours

### Interior

Fabric Wrap on PET Acoustic Panel

- Focus Range FO-82
- Custom Colours

### Carpet

Anti-static

- Dark Grey FP2-1

### Occupancy Lighting

- Occupied
- Available

\*Any custom finishes will be subject to a 12+ week lead time.

# Furniture Configurations

Each booth offers a unique space, the furniture makes it yours. Desks, benches, lean bars, or sofas - every configuration is designed around how people actually work; and what happens inside each booth is up to you.

Most Popular

## One Stand



Make your workspace work with the One Stand. The One Stand comes with a custom-fit wall-mounted desk and ergonomic stool, designed for quick calls, video meetings, and focused bursts of work. Step in, settle, and get straight to the point.

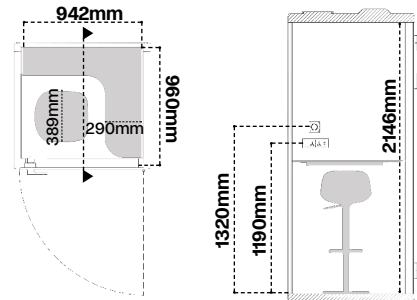
### Finishes

#### Standing Desk

- Alabaster TB-02
- Custom Colours

#### Chair

- Focus Range FO-86
- Custom Colours



\*Dimensions shown are for reference only and do not constitute a technical drawing.

## One Solo



The smallest footprint with the biggest impact. One Solo comes fully equipped with a seated bench and table, giving you space for concentration, and deep focus.

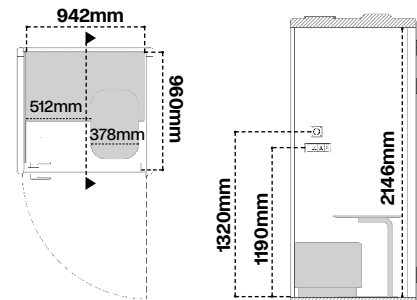
### Finishes

#### Table

- Alabaster TB-02
- Custom Colours

#### Bench

- Focus Range FO-86
- Custom Colours



\*Dimensions shown are for reference only and do not constitute a technical drawing.



**BUREAU**

Furnish a workspace that works.

[withbureau.com](http://withbureau.com)