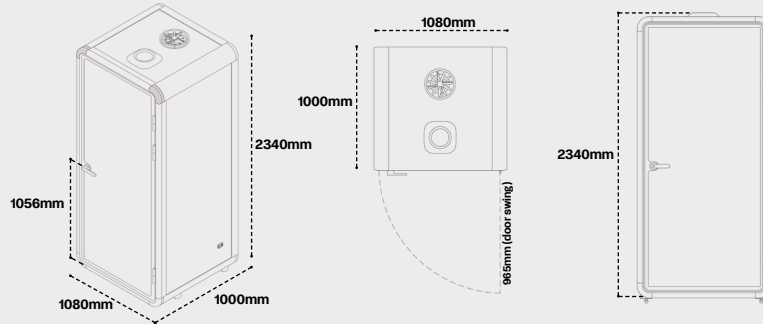


One

A compact booth for single-person focus. Small in scale, precise in design, and easy to place anywhere. This is your quiet space for undisturbed phone calls and deep work.



*Dimensions shown are for reference only and do not constitute a technical drawing.
A minimum clearance of 40mm is required on all sides for installation and ventilation purposes.



Capacity

1 Person

Warranty

Two-years warranty

Acoustic

>30db

Footprint

w:1080mm x d:1000mm

Ventilation

- Airflow: 70 m³/hr
- 2x Fans (1x in, 1x out)

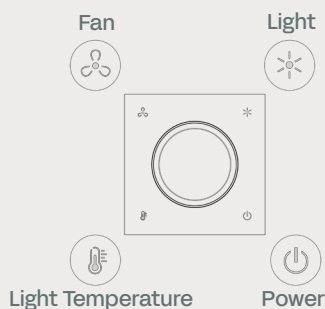
Lighting

- 1 Light: 36w (24V/1.5A)
- Colour temperature: 3000K-6000K (adjustable)
- Colour Rendering Index (CRI): 92

Dimensions (wxdxh)

- Internal: 942mm x 960mm x 2146mm
- External: 1080mm x 1000mm x 2340mm
- Doorway: w:918mm x h:2118mm
- Weight: 335kg

Control panel



Power and Data

- Outlets: x1 DGPO, x1 USB-C, and x1 USB-A above table height (on wall)
- Power access on right side
- Power consumption: 40W
- Motion sensor controls lights and air flow automatically

Design

- Eco-friendly materials and packaging
- Integrated ventilation system
- Fire sprinkler hole: pre-cut opening for easy sprinkler integration
- Built-in occupancy lights
- Control panel: adjust ventilation, light strength, and temperature

Certifications

- RCM (Electrical Safety & EMC): Independently evaluated by SGS for electrical safety and EMC compliance for the complete booth system
- AS 5637:1 (Fire Performance): Lab-tested wall and ceiling linings for fire performance, evaluated by SGS
- ISO 23351-1 (Acoustics): Lab-measured speech privacy up to ~30dB SLR for quieter calls and focus
- FSC® Chain of Custody (Timber): Responsibly sourced, traceable timber supply
- ISO 9001 / ISO 14001: Quality and environmental management systems at the manufacturing site

Evidence pack available on request; scope may vary by configuration.

Finishes

Exterior Shell

Electrostatic coated / Architectural surface film

- Cloud White Standard
- Domino Black Standard
- Custom Colours

Interior

Fabric Wrap on PET Acoustic Panel

- Focus Range FO-82
- Custom Colours

Carpet

Anti-static

- Dark Grey FP2-1

Occupancy Lighting

- Occupied
- Available

Furniture Configurations

Each booth offers a unique space, the furniture makes it yours. Desks, benches, lean bars, or sofas - every configuration is designed around how people actually work; and what happens inside each booth is up to you.

Most Popular

One Stand



Make your workspace work with the One Stand. The One Stand comes with a custom-fit wall-mounted desk and ergonomic stool, designed for quick calls, video meetings, and focused bursts of work. Step in, settle, and get straight to the point.

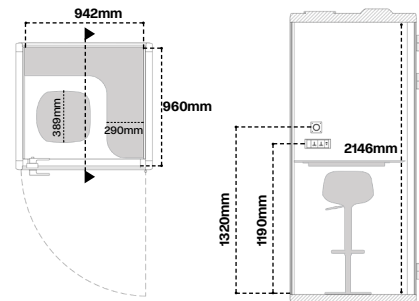
Finishes

Standing Desk

- Alabaster TB-02
- Custom Colours

Chair

- Focus Range FO-86
- Custom Colours



One Solo



The smallest footprint with the biggest impact. One Solo comes fully equipped with a seated bench and table, giving you space for concentration, and deep focus.

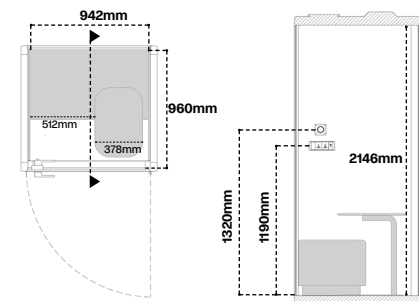
Finishes

Table

- Alabaster TB-02
- Custom Colours

Bench

- Focus Range FO-86
- Custom Colours





BUREAU

Furnish a workspace that works.

withbureau.com